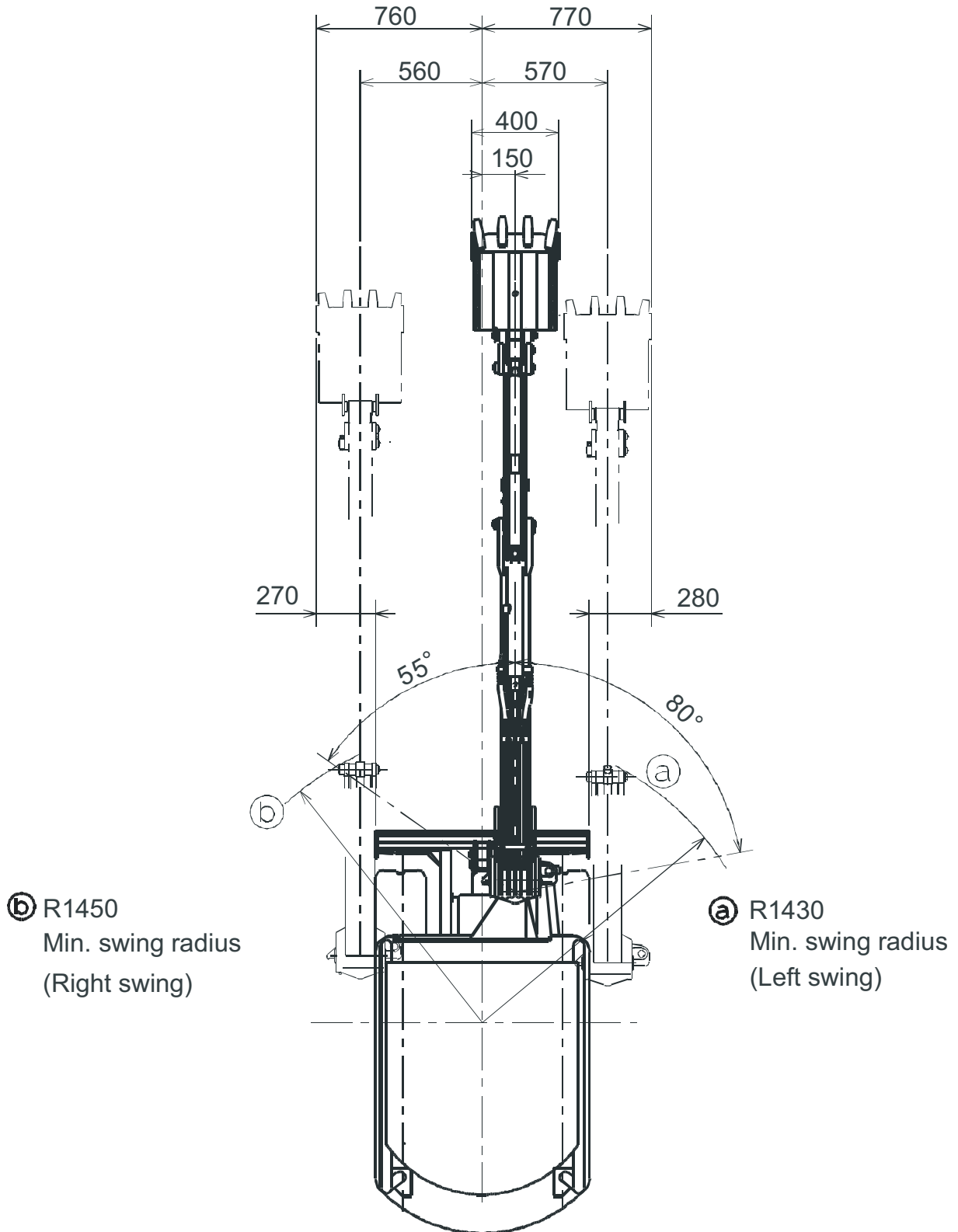
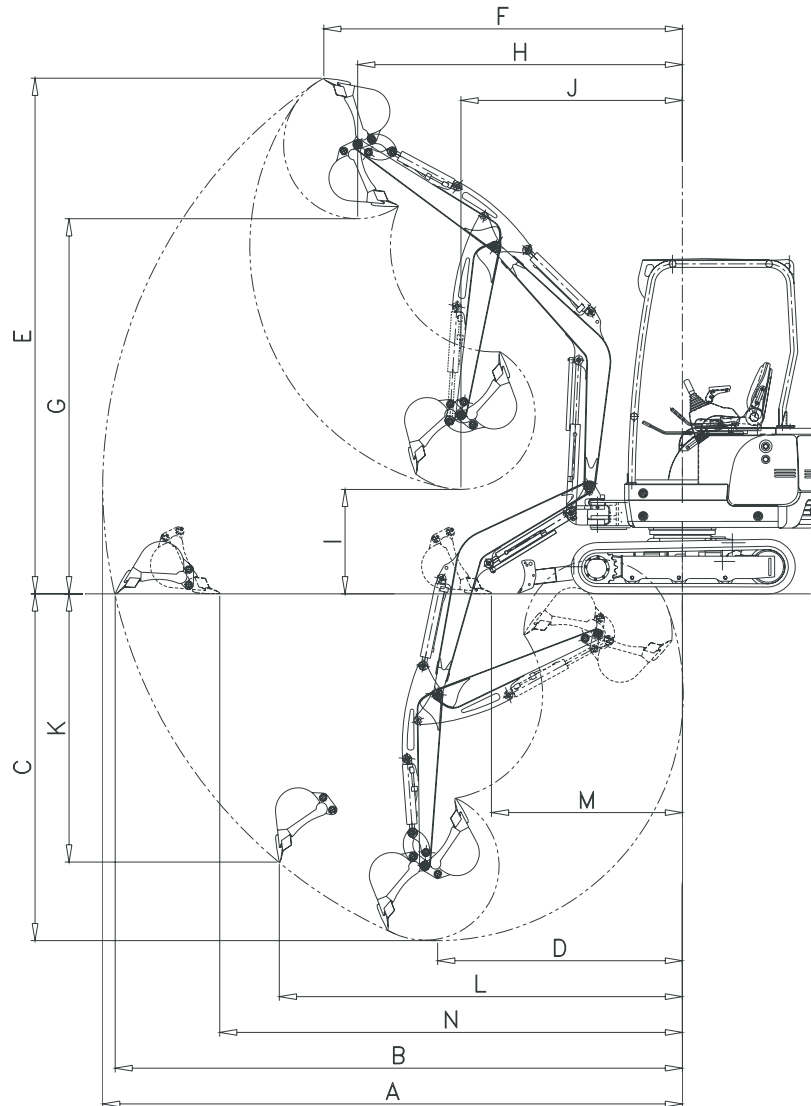


1-3-2 WORKING RANGE

■ **BOOM SWING DIGGING WORKING RANGE**



■ WORKING RANGE (BACK HOE)

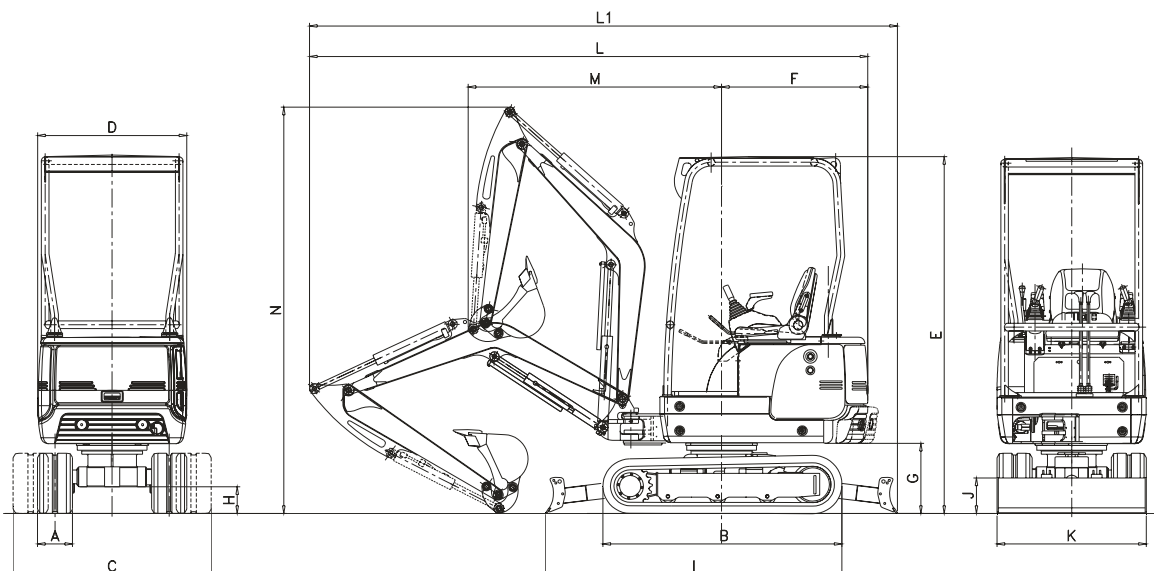


(unit, mm)

Key	Description	Canopy / cabin
	Std. of bucket capacity (m ³) ISO	0.04m ³
A	Max. digging radius (mm)	4080
B	Max. bucket outreach at ground level (mm)	3990
C	Max. digging depth (mm)	2460
D	Radius of max. digging depth (mm)	1710
E	Max. digging height (mm)	3640
F	Radius of max. digging height (mm)	2510
G	Max. dumping height (mm)	2660
H	Radius of max. digging height (mm)	2270
I	Min. dumping height (mm)	730
J	Radius of min. dumping height (mm)	1550
K	Max. vertical digging depth (mm)	1980
L	Radius of max. vertical digging depth (mm)	2820
M	Radius of min. digging ground level (mm)	1340
N	Max. clean-up radius at floor level (mm)	3240

1-2-1 OVERALL DIMENSIONS

1. OVERALL DIMENSIONS



(unit: mm)

Rif.	Description		STANDARD	
			Rubber shoe (mm)	Steel shoe (mm)
A	Crawler shoe width		230	230
B	Overall length of crawler		1570	1540
C	Overall width of crawler	Retracted	980	980
		Extended	1300	1300
D	Overall width of machine	TOPS Canopy	980	980
		Cabin	980	980
E	Overall height of machine	TOPS Canopy	2350	2350
		Cabin	2350	2350
F	Rear end swing radius		960	960
G	Rear end ground clearance		460	460
H	Min. ground clearance		175	175
I	Overall length of undercarriage		1950	1950
J	Blade height		235	235
K	Blade width	Standard blade	980	980
		With add blade	1300	1300
L	Overall length	Blade in front	3670	3670
		Blade in rear	3860	3860
M	Front end min. radius at centre	TOPS Canopy	1660	1660
		Cabin	1660	1660
N	Arm head clearance height	TOPS Canopy	2670	2670
		Cabin	2670	2670