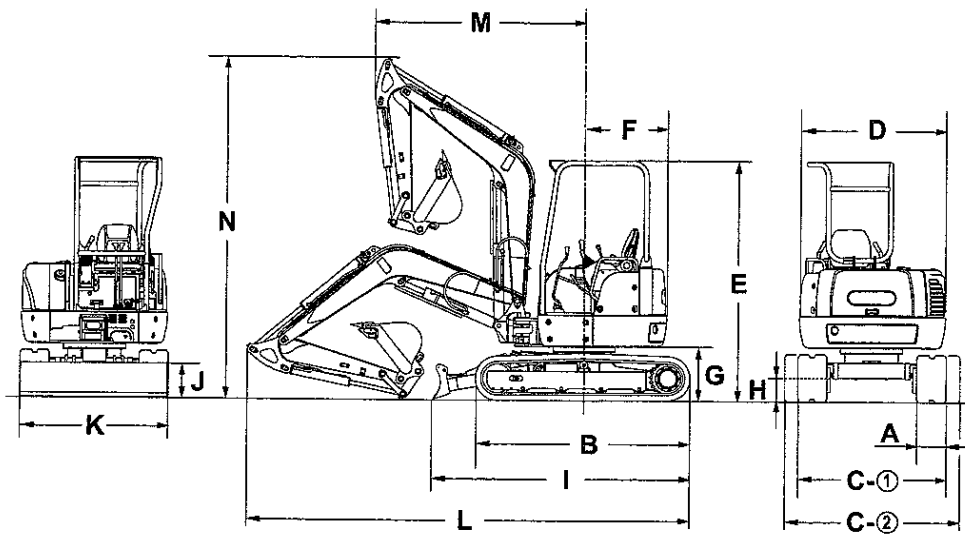


SPECIFICATIONS

35NX2

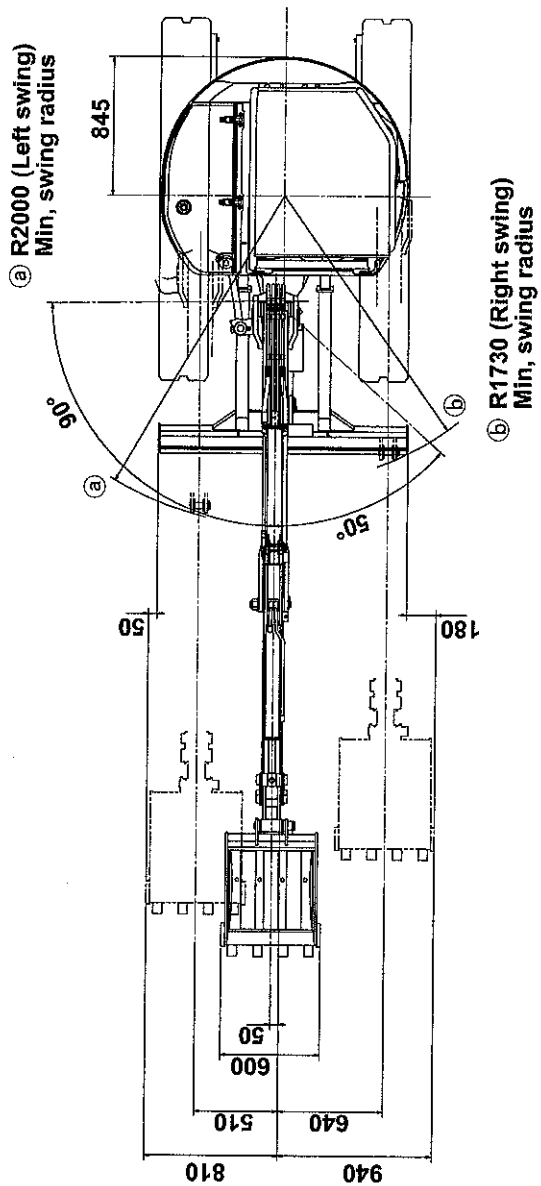
(TOPS Canopy Specification)

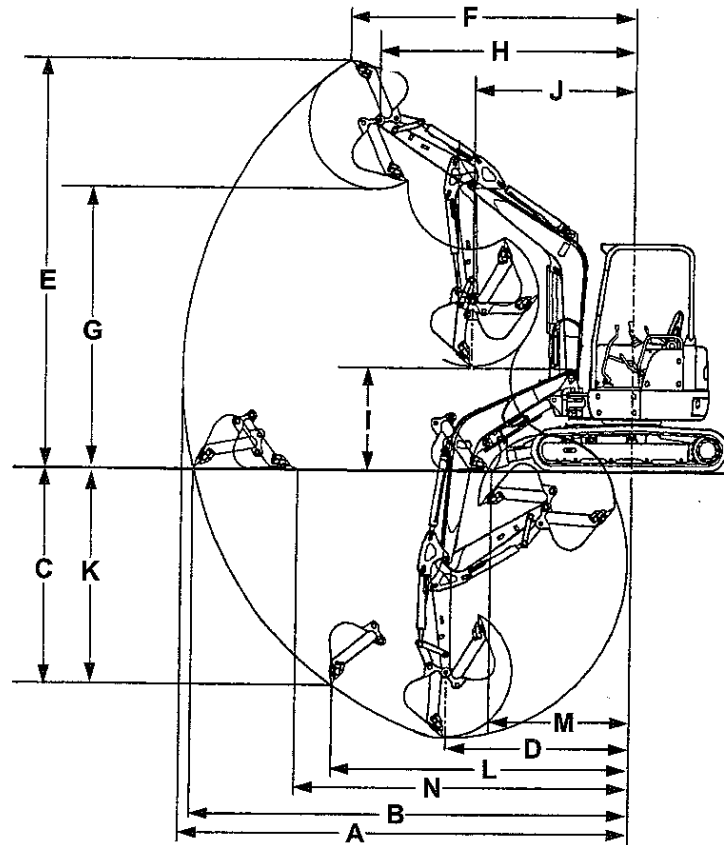


Unit: mm

Codes	Description	Rubber shoe	Steel shoe
A	Crawler shoe width	300	300
B	Overall length of crawler	2210	2230
C	Cab width	①Retracted	1520
		②Extended	1800
D	Cab width	Canopy	1500
		Steel cab	1500
E	Cab height	Canopy	2470
		Steel cab	2470
F	Rear end swing radius	Canopy	845
		Steel cab	845
G	Rear end ground clearance	560	560
H	Mini. ground clearance	250	250
I	Overall length of undercarriage	2650	2650
J	Blade height	365	365
K	Blade width	1520	1520
L	Overall length	Blade in front	4570
		Blade in rear	5040
M	Front end mini. radius at center	Canopy	2180
		Cabin	2180
N	Arm head clearance	Canopy	3500
		Cabin	3500

■ TOPS Canopy





Unit: mm

Key	Description	With TOPS Canopy		With Cabin	
		Std. arm	Long arm	Std. arm	Long arm
	Std. of bucket capacity (m ³), ISO Heaped	0.11m ³	0.08m ³	0.11m ³	0.08m ³
A	Max. digging radius	5090	5410	5090	5410
B	Max. bucket outreach at ground level	4970	5290	4970	5290
C	Max. digging depth(Not used blade)	3150	3450	3150	3450
D	Radius of max. digging depth	2080	2080	2080	2080
E	Max. digging height	4560	4840	4560	4840
F	Radius of max. digging height	3280	3400	3280	3400
G	Max. dumping height	3120	3370	3120	3370
H	Radius of max. digging height	2920	3110	2920	3110
I	Min. dumping height	1120	820	1120	820
J	Radius of min. dumping height	1830	1940	1830	1940
K	Max. vertical digging depth	2500	2950	2500	2950
L	Radius of max. vertical digging depth	3380	3270	3380	3270
M	Radius of min. digging ground level	1560	1490	1560	1490
N	Max. clean-up radius at floor level	3800	4110	3800	4110