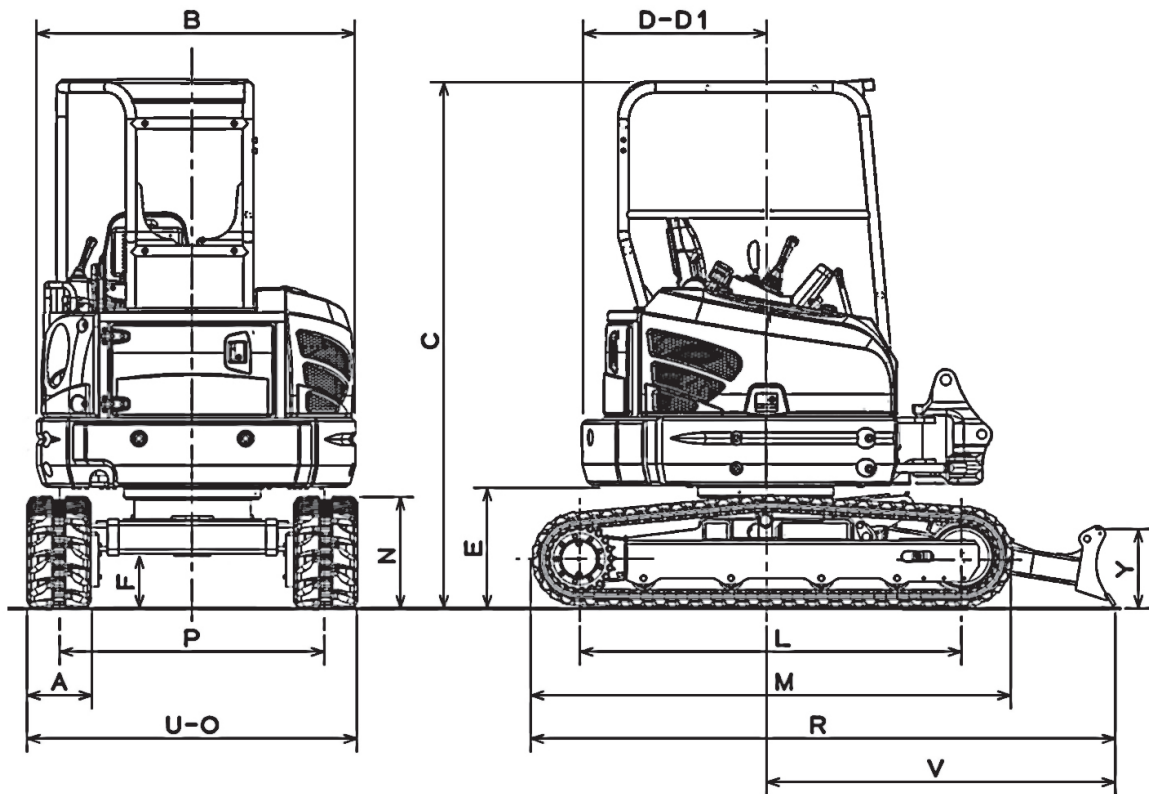


■ Main body external dimensions



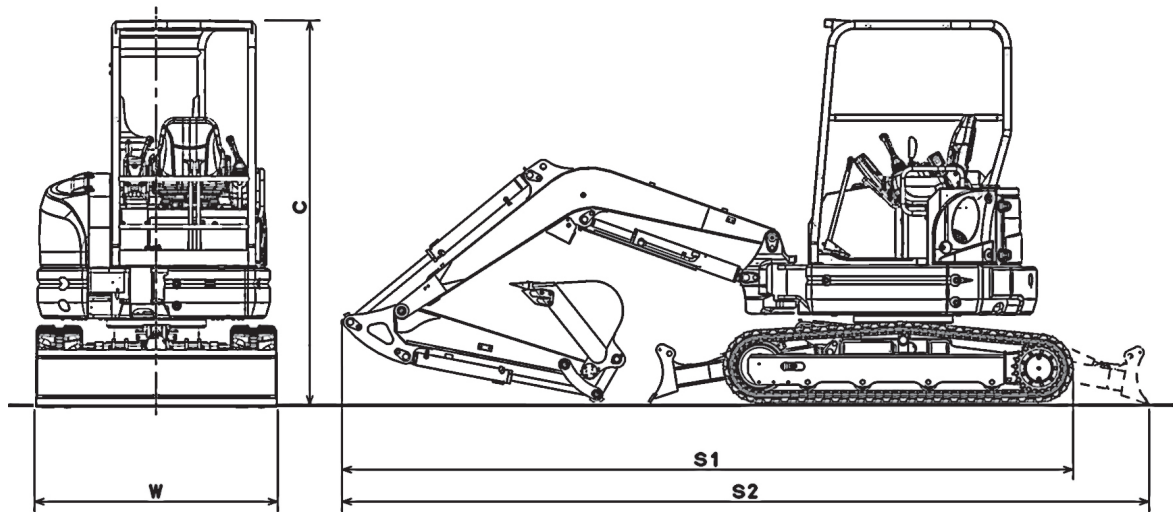
Unit:mm

		Two-post canopy	Four-post canopy	Cab
B	Upper structure overall width	1500	1500	1520
C	Overall height	250mm Rubber shoe	2480	2460
		250mm Steel shoe	2485	2465
D	Tail end swing radius	775	775	875
D1	Swing body tail end distance	775	775	775
E	Swing body rear lower end height	250mm Rubber shoe	550	550
		250mm Steel shoe	555	555
F	Ground clearance	250mm Rubber shoe	300	300
		250mm Steel shoe	305	305
Y	Blade height	380	380	380
U	Blade width	1550	1550	1550
V	Blade ground contact position	1490	1490	1490

Unit: mm

Name	Distance between tumbler centers	Crawler overall length	Crawler height	Crawler overall width	Distance between crawler centers	Crawler shoe width	Shoe pitch	Number of shoe	Undercarriage overall length	Crawler bearing area JIS (cm ²)
Crawler specification	L	M	N	O	P	A	-	-	R	-
250mm Rubber shoe	1460	1900	495	1550	1300	250	52.5	78×2	2360	8070
250mm Steel shoe	1480	1930	505	1550	1300	250	101.6	40×2	2375	8155

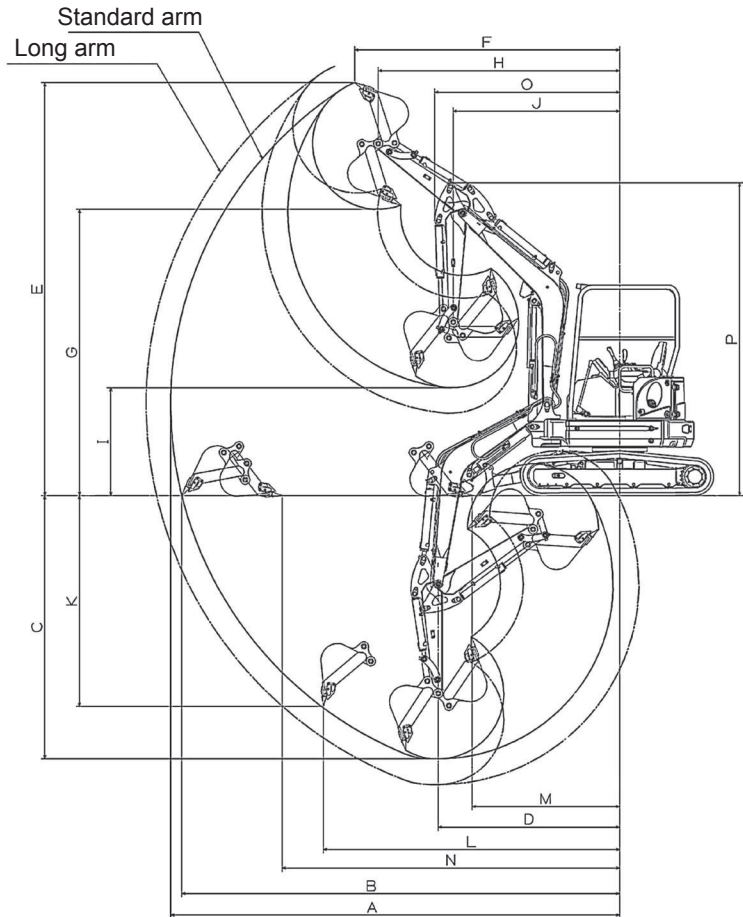
■ Dimensions upon transportation



Unit: mm

		Two-post canopy	Four-post canopy	Cab
Attachment specification		Standard	Standard	Standard
Bucket capacity (m ³) New JIS		0.08	0.08	0.08
S1	Overall length (Blade in front)	4000	4000	4000
S2	Overall length (Blade in rear)	4620	4620	4620
C	Overall height	250mm Rubber shoe	2480	2460
		250mm Steel shoe	2485	2465
W	Overall width	1550	1550	1550

(1) Standard/Long arm



CAUTION

When digging deep at the blade side, the boom cylinder sometimes interferes with the blade.

Unit: mm

No.	Name	Standard arm	Long arm
	Standard mounted bucket capacity (m ³) New JIS	0.08	0.06
A	Maximum digging radius	4560	4840
B	Maximum floor level digging radius	4400	4700
C	Maximum digging depth (without blade)	2440	2740
D	Radius against maximum digging depth	1930	1930
E	Maximum digging height	4220	4410
F	Radius against maximum digging height	2730	2960
G	Maximum dump height	2900	3090
H	Radius against maximum dump height	2470	2700
I	Minimum dump height	1120	830
J	Radius against minimum dump height	1850	1910
K	Maximum vertical digging depth	1840	2120
L	Radius against maximum vertical digging depth	3170	3270
M	Minimum floor level digging radius	1550	1440
N	Maximum digging distance with floor	3380	3670
O	Minimum front swing radius	2030	2090
	(Swing in right)	1740	1790
	(Swing in left)	1820	1880
P	Height against minimum front swing radius	3190	3190
	Arm length	1100	1400
	Boom length	2000	2000

(2) Side groove digging work range

