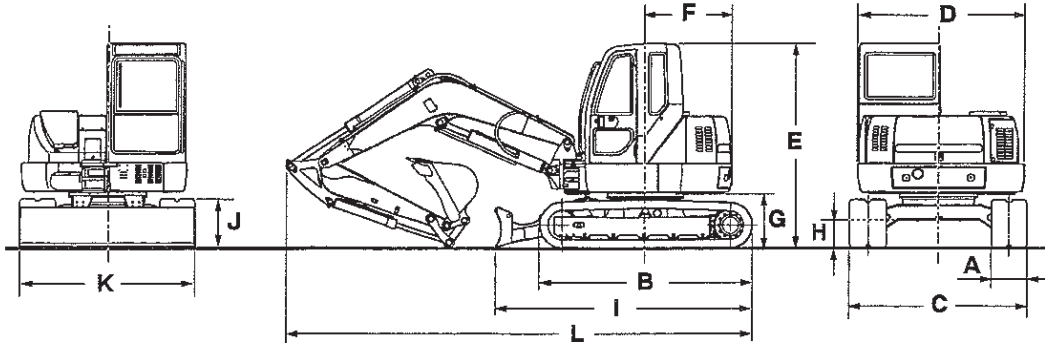


OVERALL DIMENSION AND WORKING

(WITH STANDARD COUNTER WEIGHT)

1. OVERALL DIMENSIONS



Unit : mm

Codes	Description	Rubber shoe	Steel shoe
A	Crawler shoe width	450	450
B	Overall length of crawler	2725	2725
C	Overall width of crawler	2200	2200
D	Cab width	2075	2075
E	Cab height	2580	2580
F	Rear end swing radius	1100	1100
G	Rear end ground clearance	680	680
H	Mini. ground clearance	350	350
I	Overall length of undercarriage	3285	3285
J	Blade height	500	500
K	Blade width	2200	2200
L	Overall length	Blade in front	5990
		Blade in rear	6545

2. OFFSET DIGGING WORKING RANGE

